



## NAS-8526

### IP Intercom Microphone

SPON IP Audio Intercom Station NAS-8526 with built-in speaker and gooseneck mic. Connecting the NAS-8526 to an IP network (LAN or WAN) permits hands-free conversation of high sound quality to be made between NAS-8526 and IP Paging Microphone. With a numerical keypad, you can dial any number or make a quick call to the target IP paging microphone or IP Intercom station.

SIP

## MAIN FEATURES

### 1. Design and Accessibility

- Compact and aesthetically pleasing, suitable for desktop installation.
- Numeric physical buttons for direct calling to any designated terminal.
- Built-in 3W speaker and gooseneck microphone for hands-free operation.



### 2. Audio Connectivity and Emergency Response

- Ports for 3.5mm audio line output and microphone input, compatible with headsets.
- Alarm Input/Output for integration with emergency systems like buttons, detectors, and locks.

### 3. Network Compatibility and Communication

- Supports offline intercom without centralized server software.
- SIP protocol compatibility for IPPBX registration as a SIP endpoint.
- Standard RJ45 interface for Ethernet connectivity, adaptable across network segments and routers.

# SPECIFICATION

## POWER PARAMETERS

Power Supply: DC12V/2A

Standby Power Consumption: ≤5W

## AUDIO PARAMETERS

Audio Codec: MP2, MP3, PCM, ADPCM

Audio Sampling & Bit Rate: 8kHz~22.05kHz, 16bit, 16kbps~352kbps

Built-in Speaker: 3W ,4Ω

S/N(Broadcast-Speaker): >80dB

Frequency Response: 25Hz~10KHz

## NETWORK PARAMETERS

Network I/F: 10BASE-T/100BASE-TX RJ45

Network Protocol: TCP/IP、UDP、SIP、ARP、ICMP、IGMP

Configuration Method: Web Interface or DevConfig Tool

## MECHANICAL&ENVIRONMENT PROPERTIES

Display Screen: LCD 16 Char x 2

Mounting Method: Desktop or Wall-mounted

Installation Environment: Dry Indoor Locations Only

Operating Temperature: 0°C~+45°C (32°F~113°F)

Operating Humidity: ≤90% RH non-condensing

Housing Material: Plastic

Color: Black

Product Dimensions: 95.7×195.9× 50.6mm

Product Weight: 0.3kg

Product Warranty: 2 Years Limited

## ACCESSORIES

1×Power Adaptor(DC12V/2A)

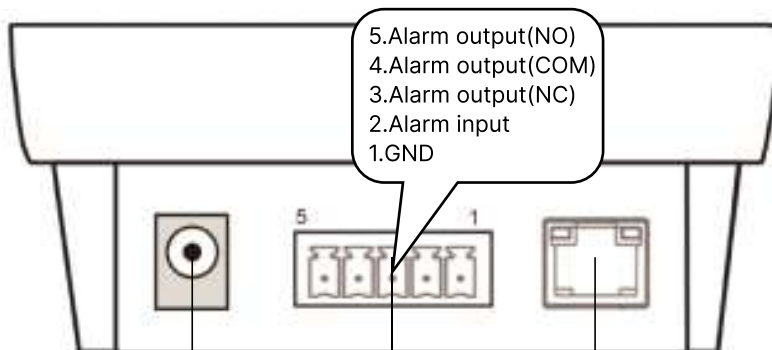
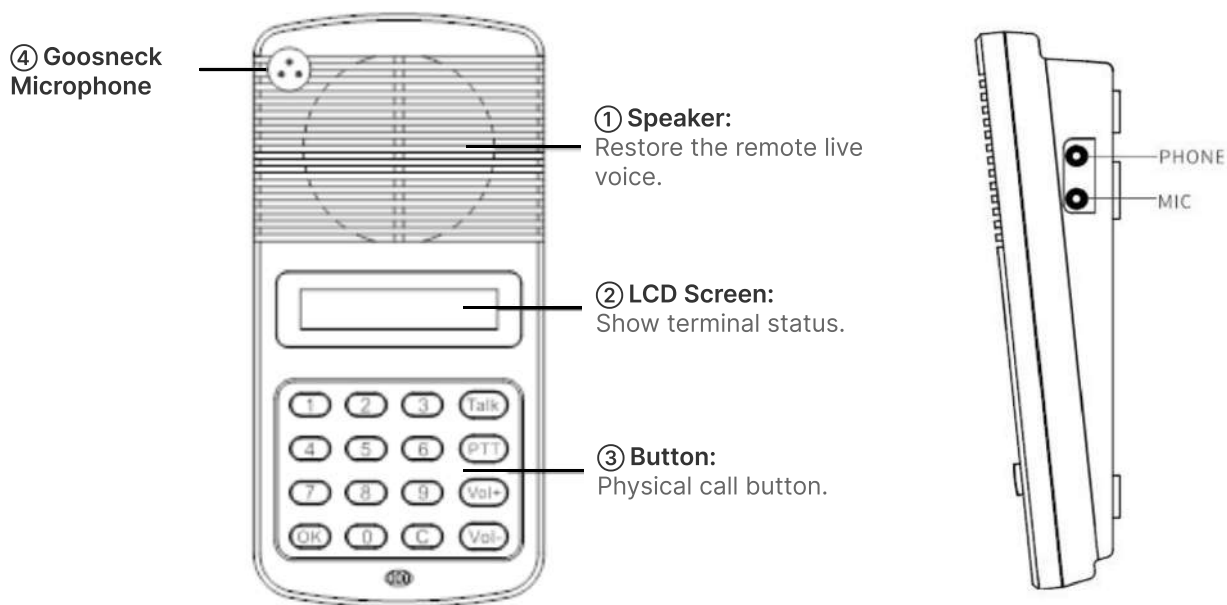
1×Quick Installation Guide

3×Plastic Expansion Sleeve(F7)

3×Half round head self tapping screw(M4\*25)

1×Terminal(3.96-5P)

# PORTS DESCRIPTION



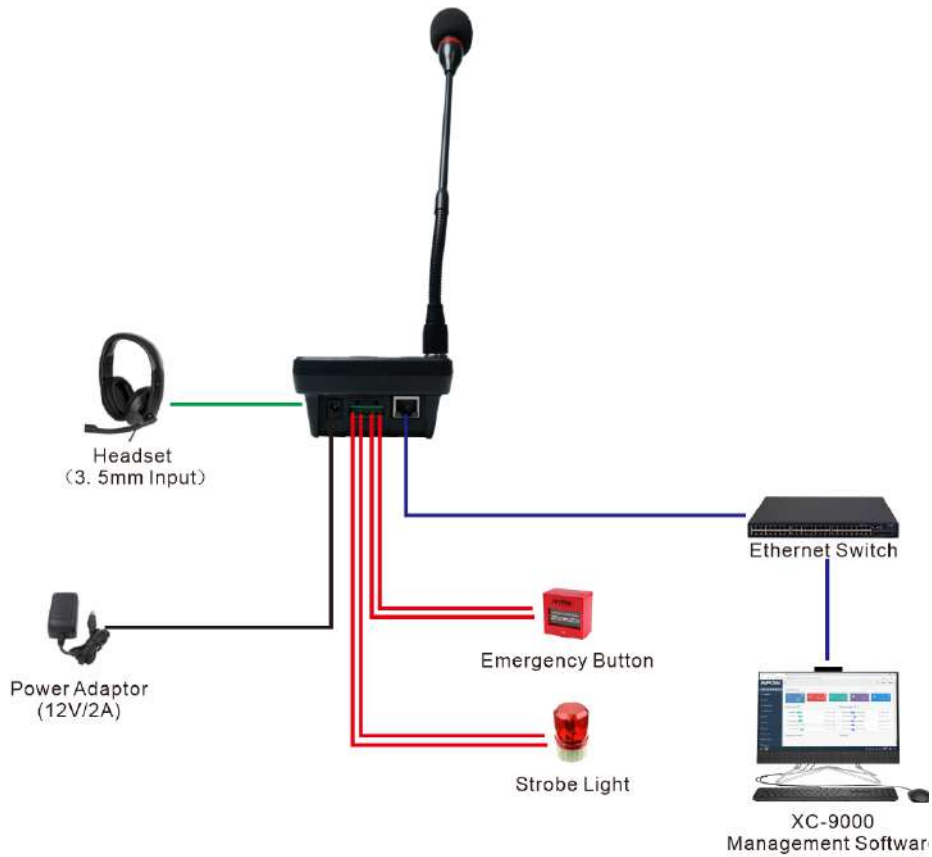
① Power input : connect to 12V DC power supply (with anti-power connection and anti-protection circuit).

③ Network input port : Use the cable to connect server and terminal.

② Alarm input /output :

- Alarm input port has two pins, the two pins` state won`t affect the audio terminal working state in normal use, only when the two pins are short sub, then the audio terminal will make some special operations automatically(eg: generate an alarm signal and sent to the server or give an alarm from the local terminal etc.) Alarm button,signal generator all these devices can access to this port;
- Alarm output port has three pins. Usually, pins 4 and 5 are in an open state. When the terminal receives an alarm output signal from the server, the two pins will be automatically shorted together to act as an alarm (Such as turning on the power. Control door lock).
- The maximum carrying current of the alarm output port is 500mA, and the maximum voltage is AC100V (or DC24V).

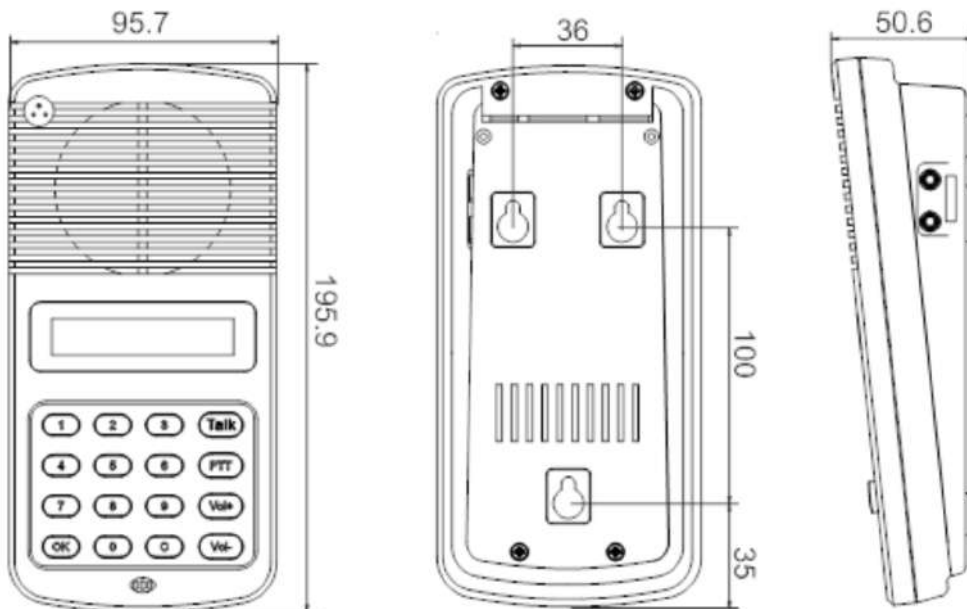
# INTERFACE DESCRIPTION



# DIMENSIONAL DRAWING

## INSTALLATION INSTRUCTIONS:

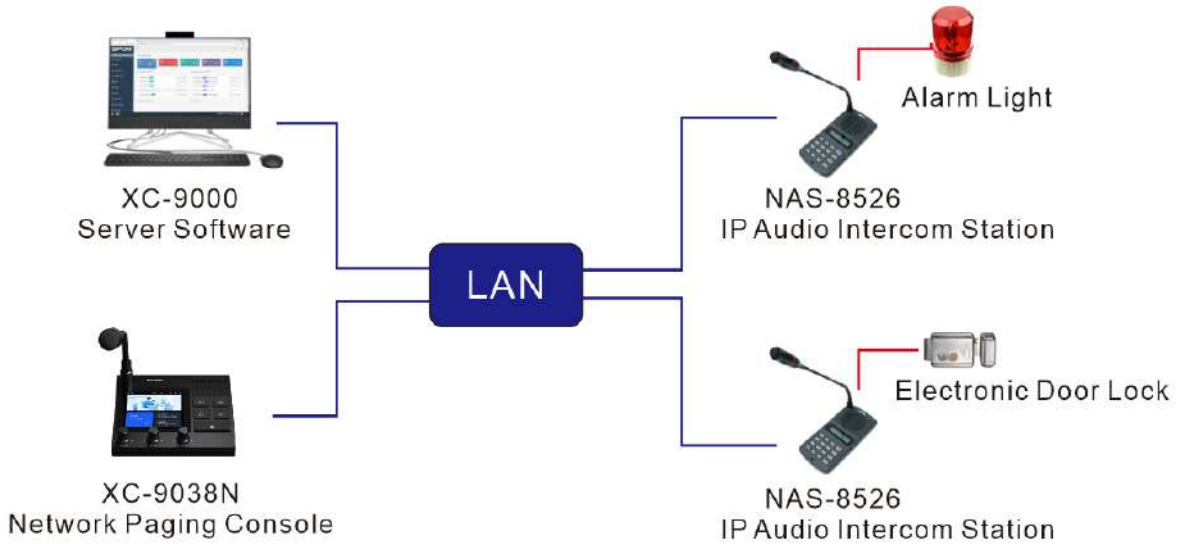
The terminal can be installed on the suitable position of desktop.



# APPLICATIONS

## Application 1

IP Audio Intercom Station NAS-8525 with alarm input and output interface , the alarm input can be connected with external alarm button which is used for triggering the alarm task pre-set on the server software ; The alarm output can be connected with external alarm light or electronic door lock which can be triggered by the IP paging mic to trigger the alarm light or unlock remotely.



## Application 2

IP Audio Intercom Station NAS-8525 can initiate or accept intercom without a server software, the offline call target need to be set on the terminal webpage.

