

NAS-8525

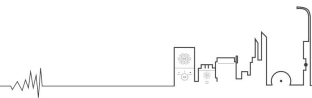
IP Desktop Audio Intercom Station



SPON IP Audio Intercom Station NAS-8525 with built-in speaker and goosneck mic. Connecting the NAS-8525 to an IP network (LAN or WAN) permits hands-free conversation of high sound quality to be made between NAS-8525 and IP Paging Microphone .With two physical buttons, you can make a quick call to the target IP paging microphone or IP Intercom station.

MAIN FUNCTIONS

- 1.Compact structure & delicate appearance, supporting desktop installation.
- 2.With two physical buttons to call any designated terminal.
- 3.Built-in 3W speaker and goosneck microphone, available for hands-free calls.
- 4.Equipped with 1×3.5mm Audio Line Output and 1×3.5mm Microphone Input interface which can be connected to headset.
- 5.Equipped with 1×Alarm Input and 1×Alarm Output interface for external linkage with emergency button, infrared detector, smoke detector, alarm light or electronic door lock.
- 6.Supporting initiating & receiving offline intercom without centralized management server software.
- 7.Support SIP protocol , can be independently registered to IPPBX as a sip endpoint.
- 8.Equipped with standard RJ45 interface, accessible to the system wherever Ethernet is available, supporting cross-segment and cross-router.



SPECIFICATION

Power Parameters

Power Supply:DC12V/2A

Power Consumption:≤5W

Audio Parameters

Audio Codec:MP2, MP3, PCM, ADPCM

Audio Sampling & Bit Rate:8kHz~22.05kHz, 16bit, 16kbps~352kbps

Built-in Speaker:3W ,4Ω

S/N(Broadcast-Speaker):>80dB

Frequency Response:25Hz~10KHz

Network Parameters

Network I/F:10BASE-T/100BASE-TX RJ45

Network Protocol:TCP/IP、UDP、SIP、ARP、ICMP、IGMP

Configuration Method:Web Interface or DevConfig Tool

Mechanical&Environment Properties

Display Screen:LCD 16 Char x 2

Mounting Method:Desktop

Installation Environment:Dry Indoor Locations Only

Operating Temperature:0℃~+45℃ (32°F~113°F)

Operating Humidity:≤90% RH non-condensing

Housing Material:Plastic

Color:Black

Product Dimensions:95.7x195.9x 50.6mm

Product Weight:0.3kg

Product Warranty:2 Years Limited

Accessories

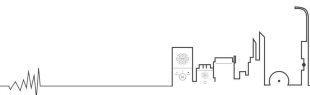
1×Power Adaptor(DC12V/2A)

1×Quick Installation Guide

3×Plastic Expansion Sleeve(F7)

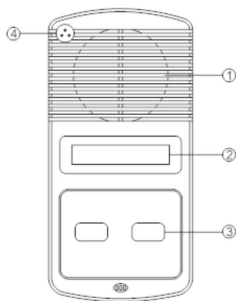
3×Half round head self tapping screw(M4*25)

1×Terminal(3.96-5P)

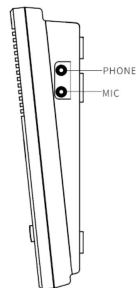


INTERFACE

[Front]

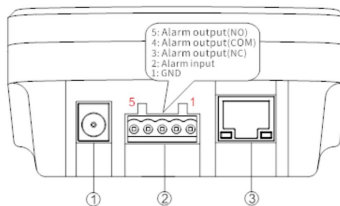


[Side]



- ① Speaker: Restore the remote live voice.
- ② LCD Screen: Show terminal status.
- ③ Button: Physical call button.
- ④ Goosneck Microphone

[Back]



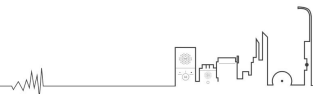
① Power input: connect to 12V DC power supply (with anti-power connection and anti-protection circuit).

② Alarm input /output:

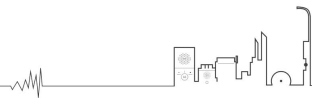
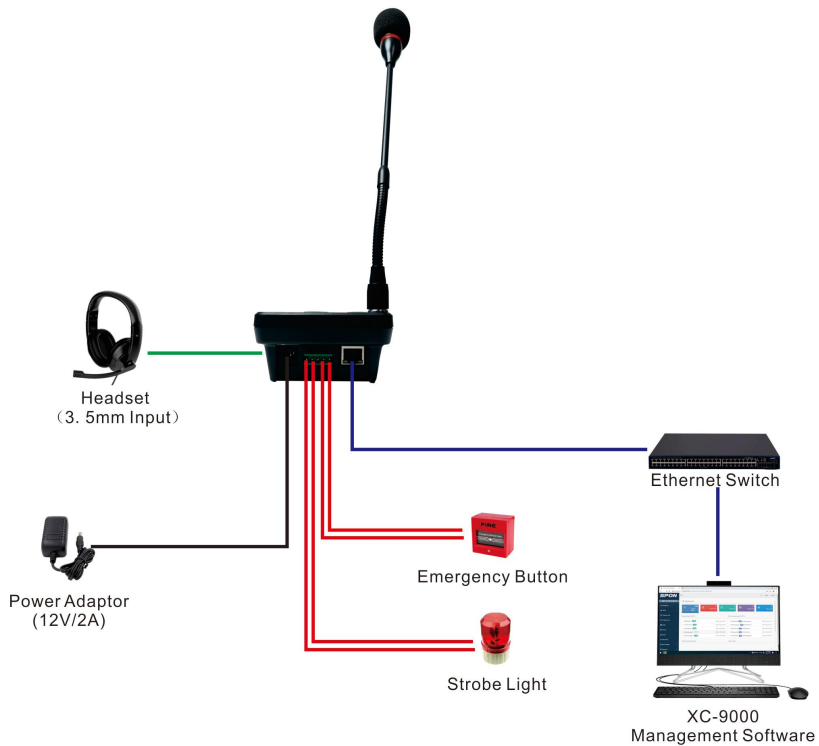
Alarm input port has two pins, the two pins' state won't affect the audio terminal working state in normal use, only when the two pins are short sub, then the audio terminal will make some special operations automatically(eg: generate an alarm signal and sent to the server or give an alarm from the local terminal etc.) Alarm button, signal generator all these devices can access to this port; Alarm output port has three pins. Usually, pins 4 and 5 are in an open state. When the terminal receives an alarm output signal from the server, the two pins will be automatically shorted together to act as an alarm (Such as turning on the power. Control door lock).

The maximum carrying current of the alarm output port is 500mA, and the maximum voltage is AC100V (or DC24V).

③ Network input port: Use the cable to connect server and terminal.



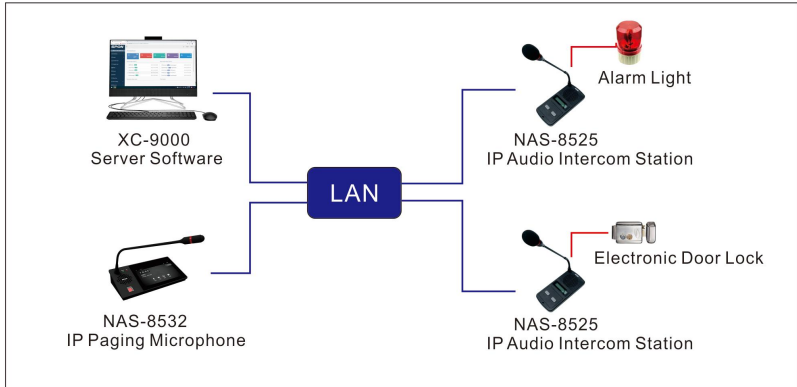
CONNECTION DIAGRAM



APPLICATION

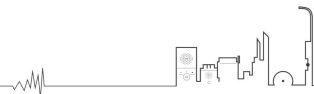
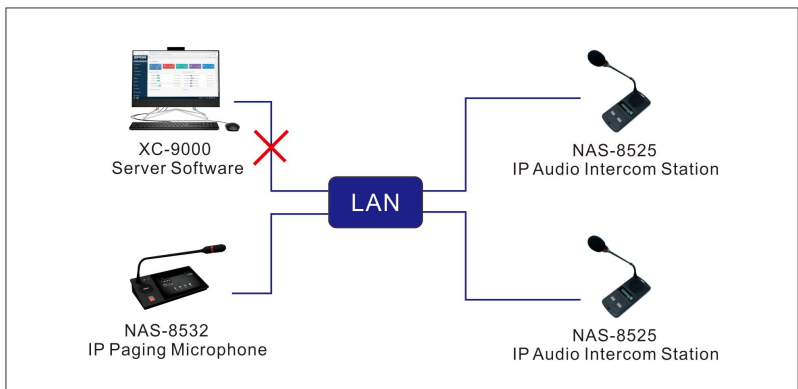
Application 1

IP Audio Intercom Station NAS-8525 with alarm input and output interface , the alarm input can be connected with external alarm button which is used for triggering the alarm task pre-set on the server software ; The alarm output can be connected with external alarm light or electronic door lock which can be triggered by the IP paging mic to trigger the alarm light or unlock remotely.

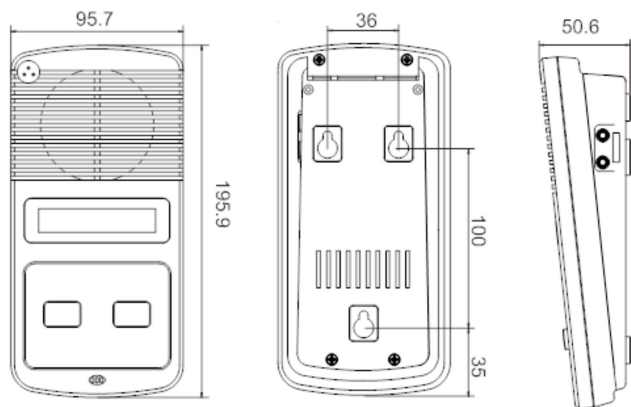


Application 2

IP Audio Intercom Station NAS-8525 can initiate or accept intercom without a server software, the offline call target need to be set on the terminal webpage.



DIMENSIONAL DRAWING



Installation instructions: The terminal can be installed on the suitable position of desktop.

