

GEN-6212A01

IP PoE Ceiling Speaker

SPON IP PoE Ceiling Speaker GEN-6212A01 is a SIP compliant and multicast-capable PoE network audio device for public address and notification, it supports common network protocols for easy integration with SIP-compatible VOIP system. It is suitable for hotel, company and other indoor public areas that need simple wiring.

2-way
Intercom

SIP

POE

Edgeless

100DB

MAIN FEATURES

▲ Highly Durable And Intelligent Communication Device

- Robust Design: Features an integrated design with a built-in amplifier, encased in a sturdy metal housing for durability.
- Powerful Audio Output: Utilizes high-sensitivity speakers capable of reaching 100dB under POE power supply, ensuring clear sound delivery.
- High-Definition Microphone: Includes a built-in microphone head with dynamic volume adjustment for clear, high-definition 2-way Intercom

▲ Advanced Functionality And Compatibility

- Remote Diagnostics: Offers a remote self-check function, allowing users to log into the device for diagnostics and speaker functionality checks.
- SIP Protocol Support: Compatible with standard SIP protocol, facilitating easy integration with mainstream SIP PBX systems like Yeastar, Asterisk, and Cisco.
- ONVIF Protocol Integration: Supports ONVIF protocol for seamless integration with third-party monitoring systems.
- Versatile Interface Options: Equipped with multiple interfaces for connecting with a range of third-party devices.

▲ Flexible Deployment And Management

- POE/POE+ Support: Provides flexible deployment options with support for both POE and POE+ power supplies.
- Remote Management: Enables remote management and supports online upgrades for continuous optimization and maintenance.

SPECIFICATION

POWER PARAMETERS

Power Supply: DC 24V/1A, PoE (IEEE802.3af), PoE+ (IEEE802.3at)

Standby Power Consumption: ≤3W

Rated Power Output: 10W

AUDIO PARAMETERS

Audio Codec: G.711A-law, G.711μ-law, G.722

Sensitivity: 89dB±3dB (1W, 1m)

Maximum SPL: 100dB

S/N (Signal-to-Noise) Ratio: ≥85dB

Audio Sampling & Bit Rate: 8kHz~44.1kHz, 16bit, 8kbps~320kbps

Frequency Response: 70Hz~18kHz

NETWORK PARAMETERS

Network I/F: 10BASE-T/100BASE-TX RJ45

Network Protocol: SIP, ONVIF, HTTP, UDP, ARP, ICMP, IGMP

Configuration Method: Web Interface or DevConfig Tool

MECHANICAL & ENVIRONMENTAL PROPERTIES

Mounting Method: Ceiling Mount

Installation Environment: Indoor Locations

Operating Temperature: -30°C~+60°C

Operating Humidity: ≤90% RH non-condensing

Net Material: Iron

Housing Material: Iron

Color: Off White(NET) + Black(Housing)

Product Dimensions: φ204×167mm

Hole Dimension: φ180mm

Product Weight: 1.9KG

Product Warranty: 2 Years Limited

ACCESSORIES

1×2-Pin Pluggable Terminal Block Connector

1×4-Pin Pluggable Terminal Block Connector

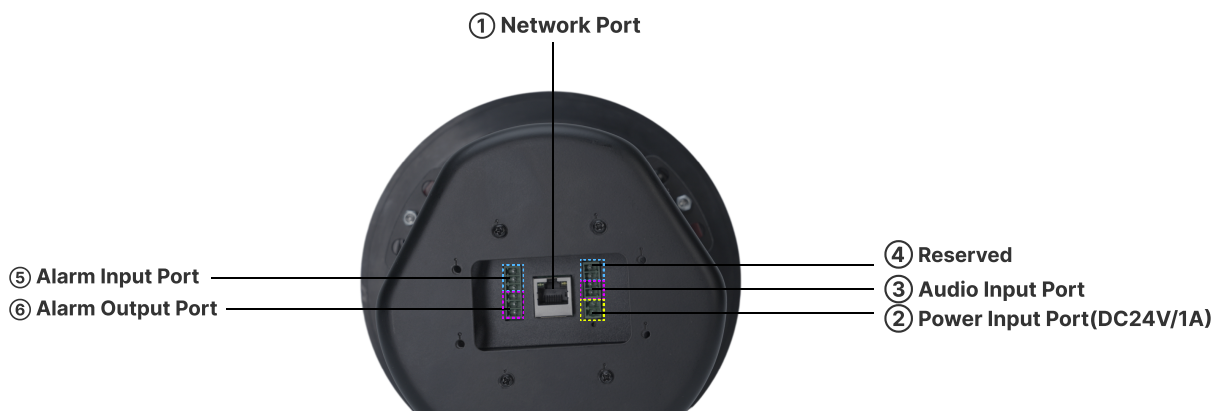
1×6-Pin Pluggable Terminal Block Connector

1×Quick Installation Guide

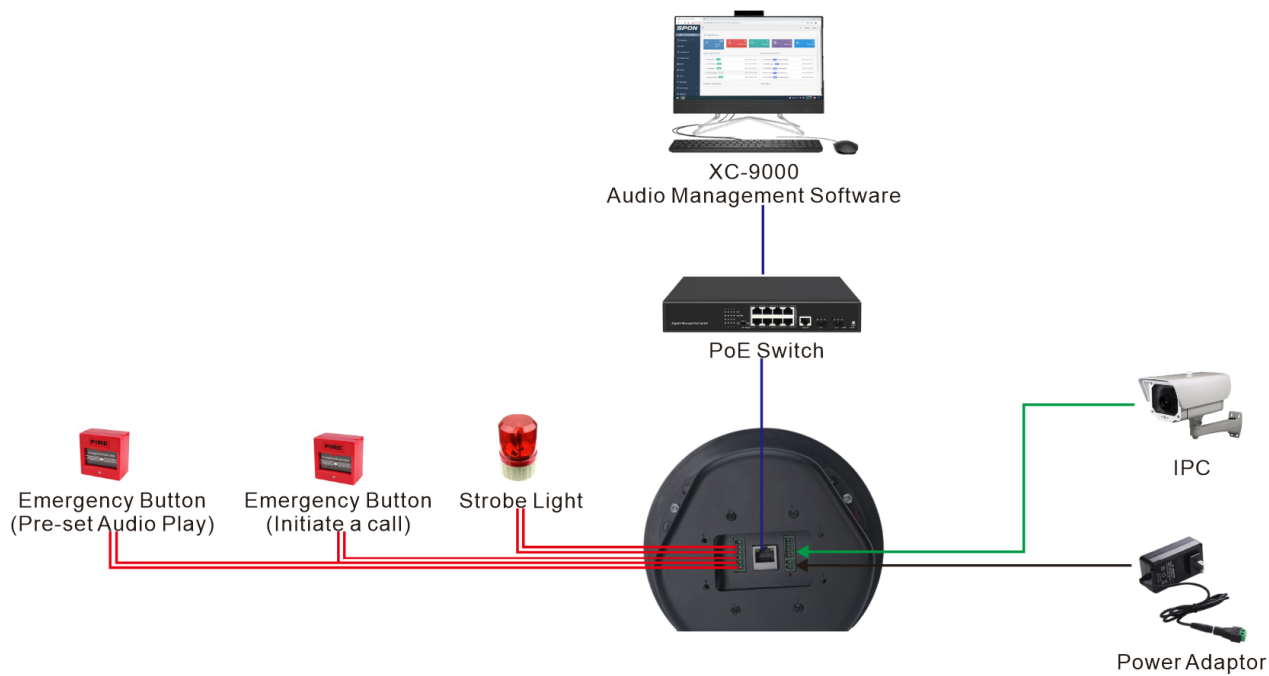
1×Quality Certificate

1×Warranty Card

INTERFACE DESCRIPTION



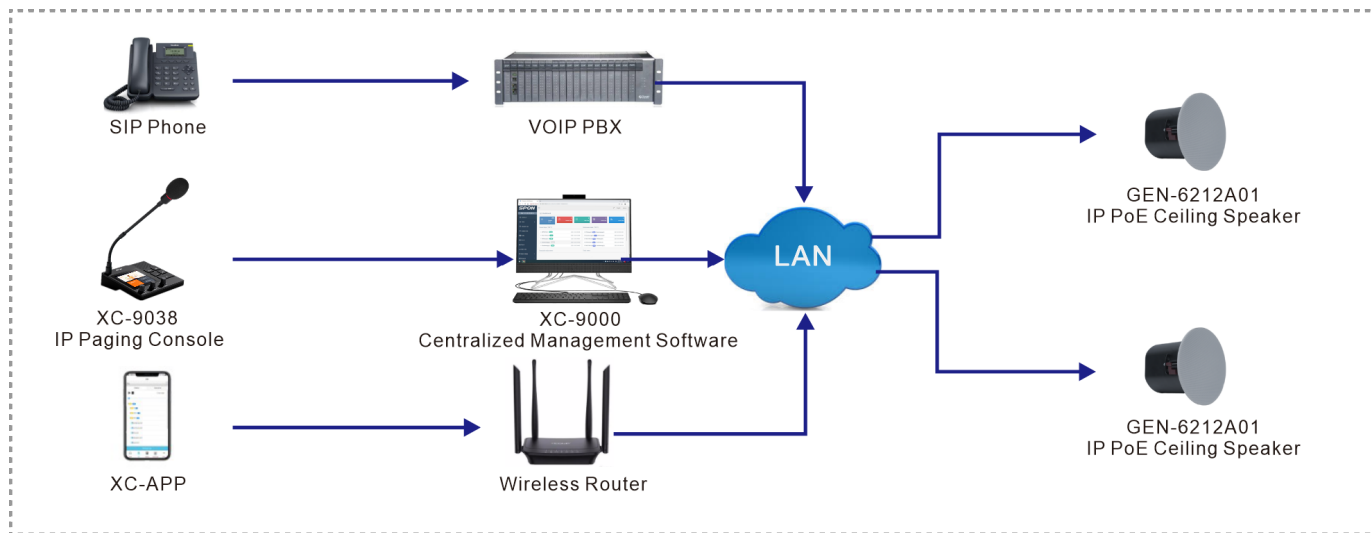
CONNECTION DIAGRAM



APPLICATIONS

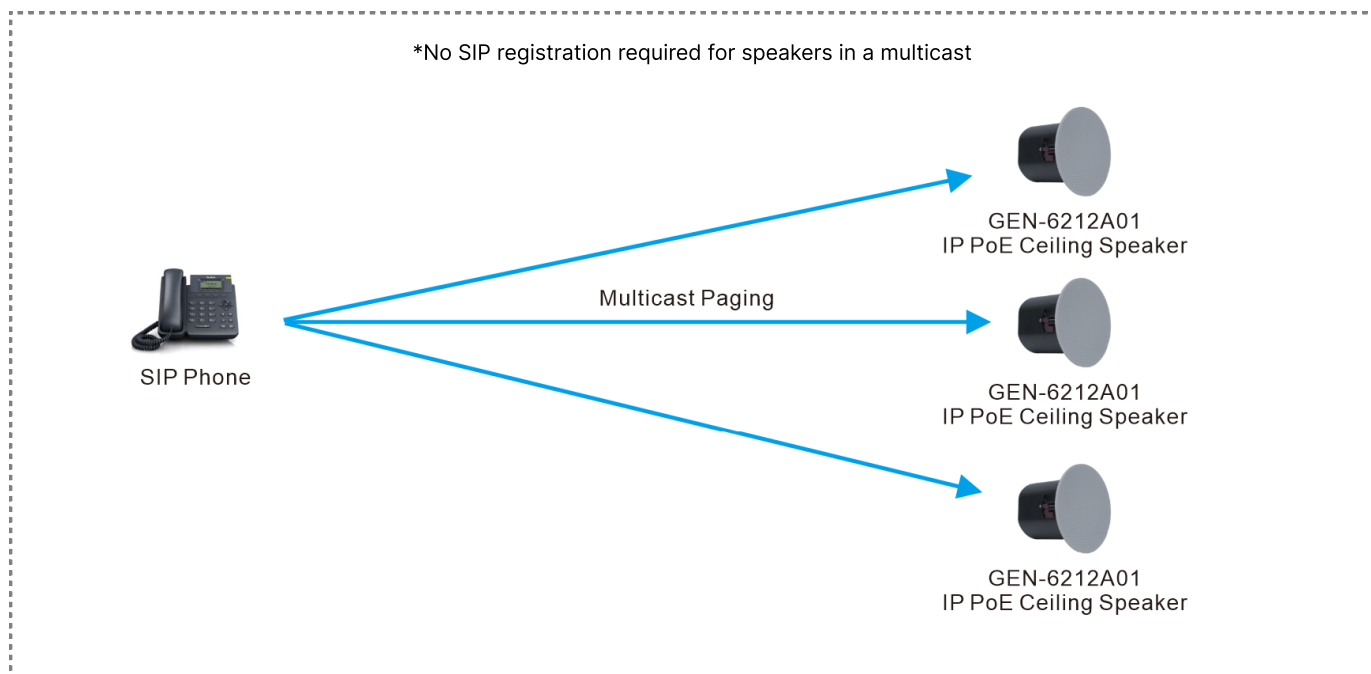
Application 1

The IP PoE Ceiling Speaker GEN-6212A01 support SIP protocol which can be independently used as a sip endpoint to integrated with mainstream VOIP system for receiving sip call from SIP phone or SIP softphone ; Meanwhile , it also can receive broadcast from SPON management software 、 IP Paging Mic and XC-APP .



Application 2

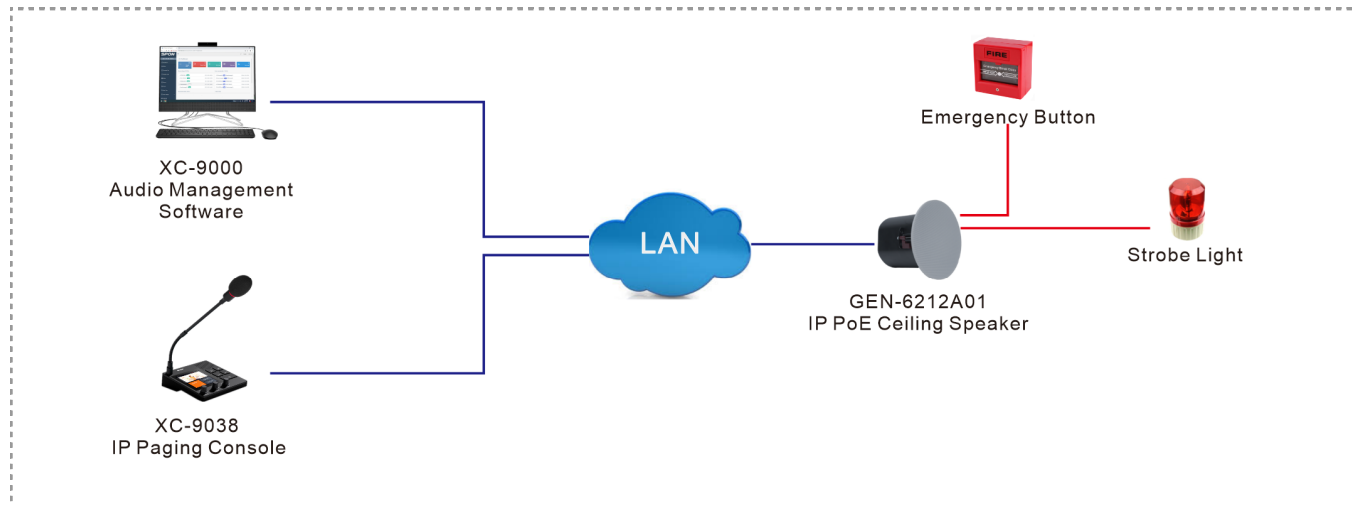
The IP PoE Ceiling Speaker GEN-6212A01 support paging from SIP phone by using multicast address , the multicast address and priority can be set on its webpage .



APPLICATIONS

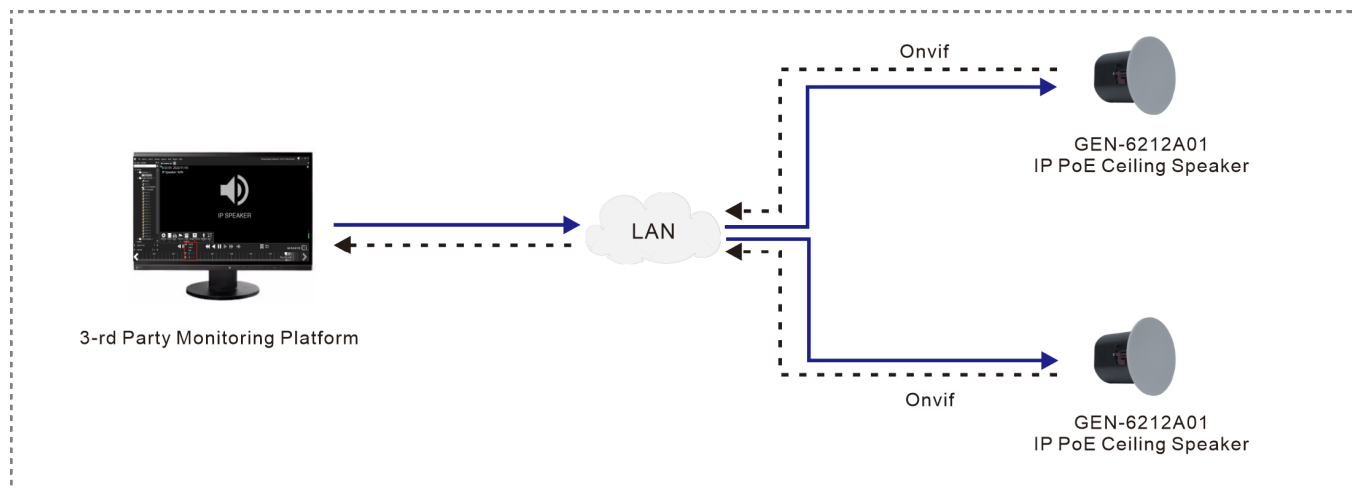
Application 3

The IP PoE Ceiling Speaker GEN-6212A01 supports relay input/output ports for connecting with external alarm devices ,such as emergency button .etc , it can realize two-way intercom function or trigger the strobe light flashing and the pre-set alarm audio to be played.



Application 4

The IP PoE Ceiling Speaker GEN-6212A01 support Onvif protocol which can be registered to the 3-rd party monitoring system ,and during emergency situation ,the operator can directly make a live announcement to the speaker on the monitoring platform.



DEMENSIONL DRAWING

