



GEN-6392A01

IP PoE Horn Speaker

SPON IP POE Horn Speaker GEN-6392A01 is a SIP compliant and multicast-capable PoE network audio device for public address and notification, it supports common network protocols for easy integration with SIP- compatible VOIP system . It is suitable for industrial plant, prisons, parks, new rural areas and other public address areas that need simple wiring.



MAIN FEATURES

▲ Sturdy And Advanced Outdoor Communication System

- Robust Integration: Combines an amplifier and speakers within a strong aluminum alloy housing, complemented by a stainless steel bracket.
- High-Sensitivity Sound: Features speakers that achieve 120dB under POE power supply, suitable for clear outdoor communication.
- Waterproof Microphone: Incorporates a waterproof microphone with dynamic volume adjustment, ensuring high-definition 2-Way Intercom.

▲ Remote Monitoring And Protocol Support

- Remote Self-Check: Enables logging into the device for self-check operations, identifying speaker functionality.
- SIP Protocol Compatibility: Supports standard SIP protocol for seamless integration with mainstream SIP PBX systems like Yeastar, Asterisk, and Cisco.
- ONVIF Protocol Integration: Compatible with third-party monitoring systems, enhancing security and monitoring capabilities.

▲ Durability And Flexible Deployment

- Weather Resistance: With an IP66 protection level, it withstands extreme weather and operates in temperatures ranging from -40 to 70°C.
- Flexible Power Options: Supports both POE and POE+ for versatile installation and deployment.
- Remote Management: Offers remote management capabilities and supports online upgrades for continuous system improvement.

SPECIFICATION

POWER PARAMETERS

Power Supply:	DC 24V/1A, PoE (IEEE802.3af), PoE+ (IEEE802.3at)
Standby Power Consumption:	≤3W
Rated Power Output:	10W(MAX:12W)

AUDIO PARAMETERS

Audio Codec:	G.711A-Law, G.711μ-Law, G.722
Sensitivity:	109dB±3dB (1W, 1m)
Maximum SPL:	120dB
S/N (Signal-To-Noise) Ratio:	≥85dB
Audio Sampling & Bit Rate:	8kHz~44.1kHz, 16bit, 8kbps~320kbps
Frequency Response:	280Hz~12.5kHz

NETWORK PARAMETERS

Network I/F:	10BASE-T/100BASE-TX RJ45
Network Protocol:	SIP、ONVIF、HTTP、UDP、ARP、ICMP、IGMP
Configuration Method:	Web Interface Or DevConfig Tool

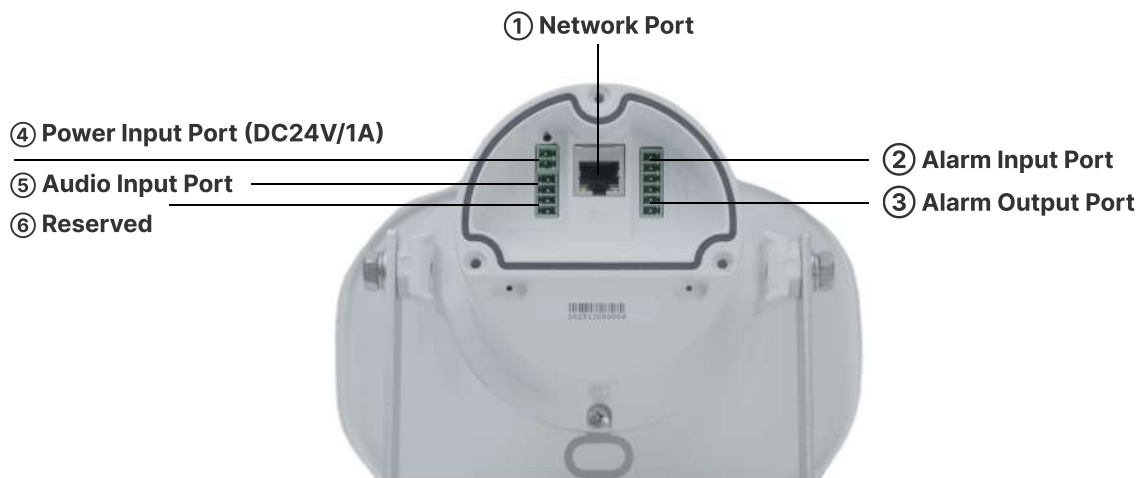
MECHANICAL & ENVIRONMENTAL PROPERTIES

Mounting Method:	Wall-Mounted Or Pole
Ingress Protection Grade:	IP66
Installation Environment:	Outdoor Locations
Operating Temperature:	-40°C~+70°C
Operating Humidity:	≤90% RH Non-Condensing
Bracket Material:	Stainless Steel
Housing Material:	Aluminum Alloy
Color:	Off-White
Product Dimensions:	233*173*281mm
Product Weight:	1.6KG
Product Warranty:	2 Years Limited

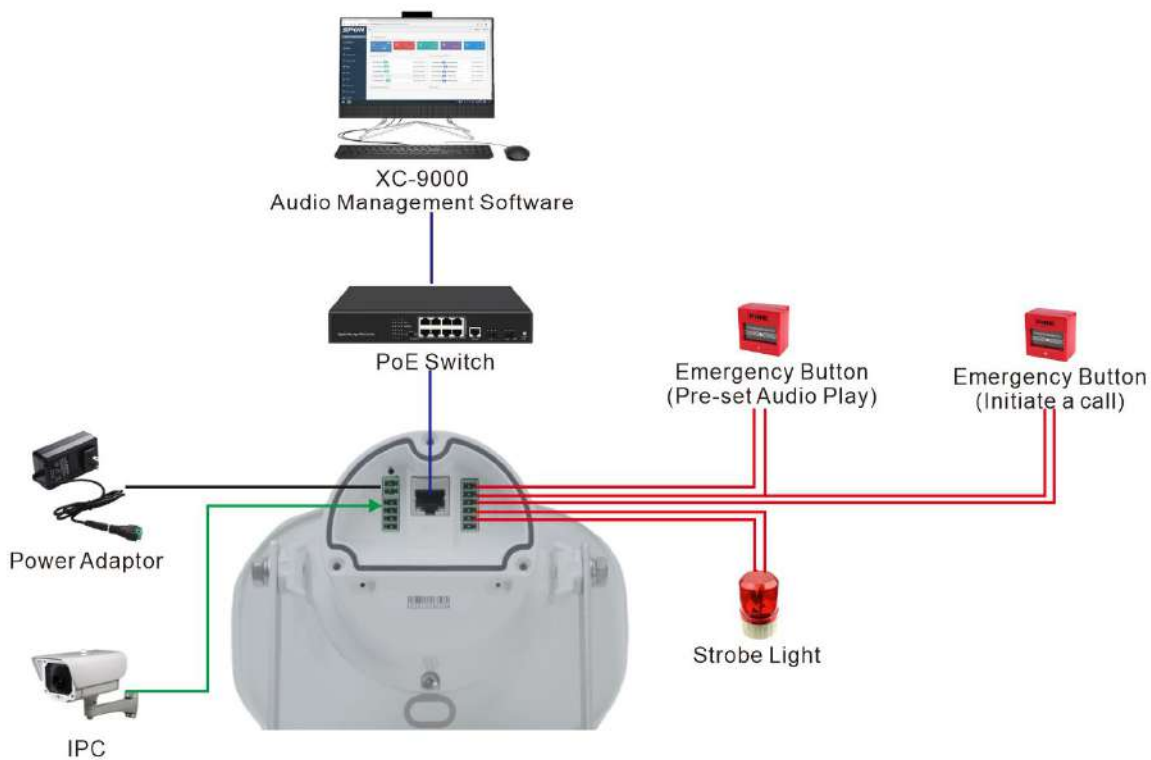
ACCESSORIES

1×2-Pin Pluggable Terminal Block Connector
1×4-Pin Pluggable Terminal Block Connector
1×6-Pin Pluggable Terminal Block Connector
1×Quick Installation Guide
1×Quality Certificate
1×Warranty Card

INTERFACE DESCRIPTION



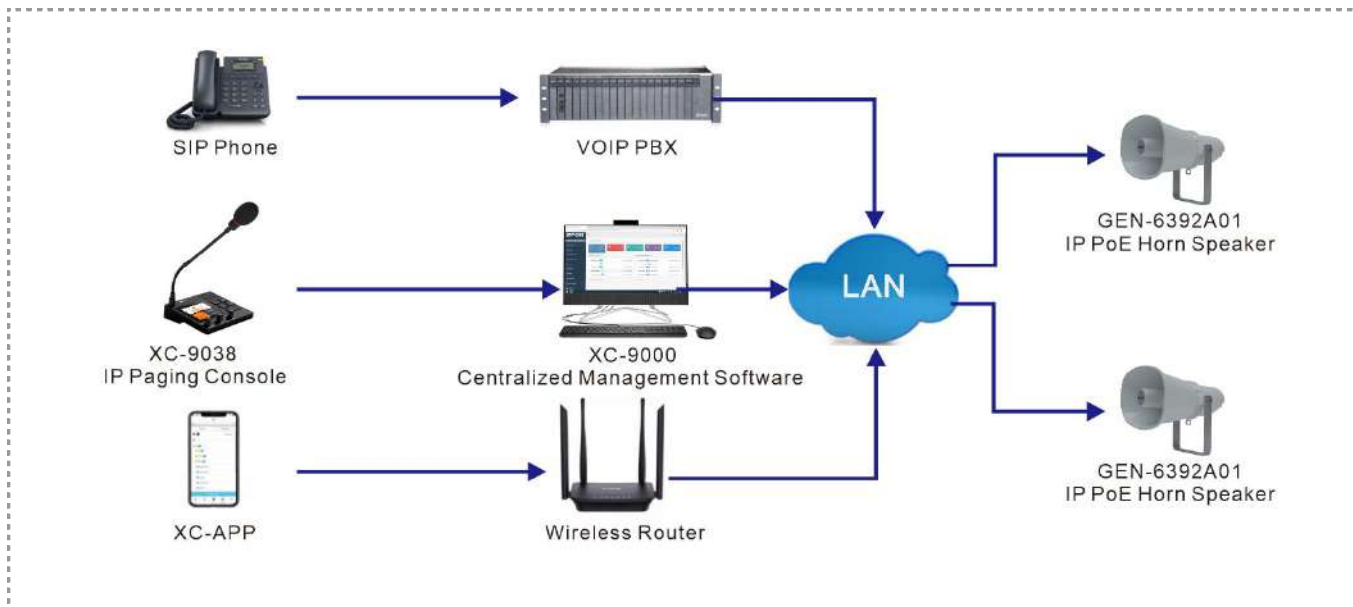
CONNECTION DIAGRAM



APPLICATIONS

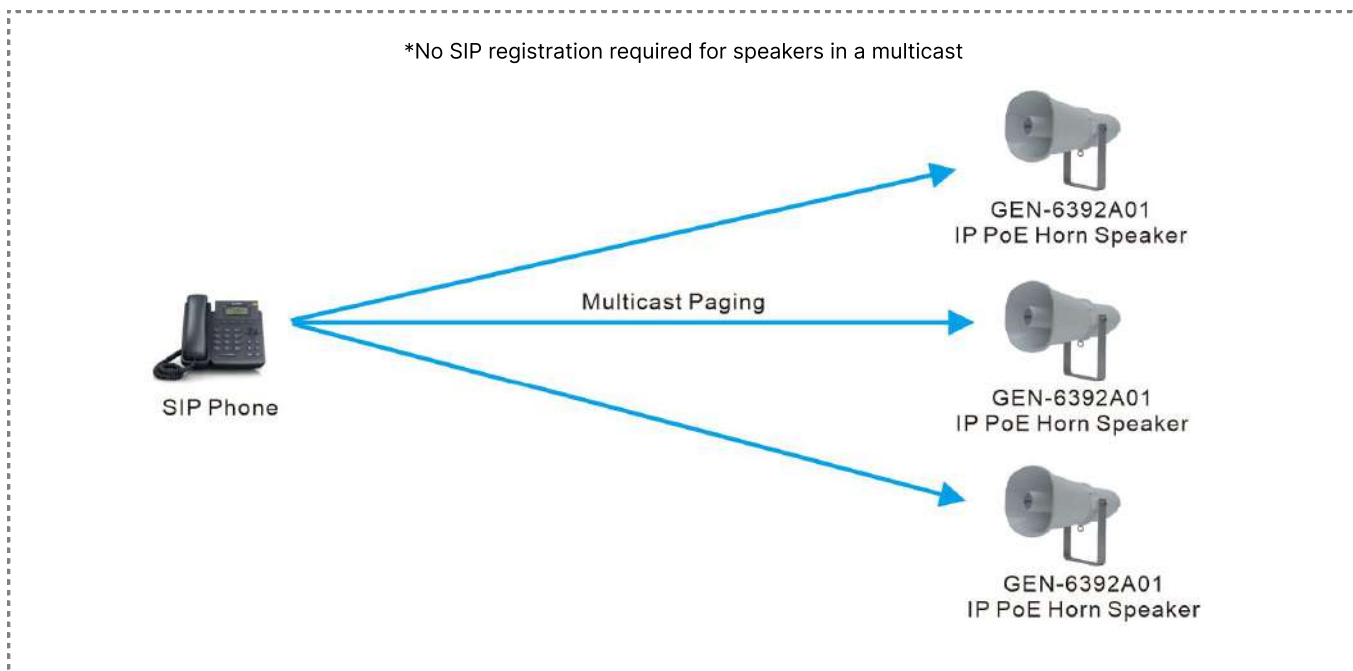
Application 1

The IP PoE Horn Speaker GEN-6392A01 support SIP protocol which can be independently used as a sip endpoint to integrated with mainstream VOIP system for receiving sip call from SIP phone or SIP softphone ; Meanwhile , it also can receive broadcast from SPON management software 、 IP Paging Mic and XC-APP .



Application 2

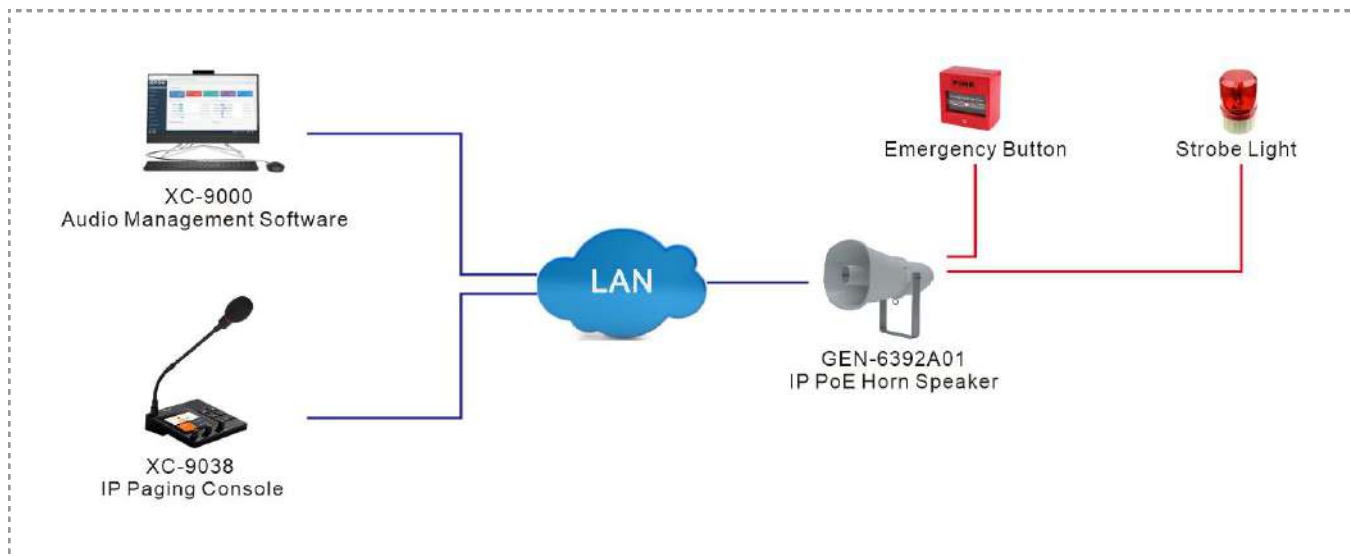
The IP PoE Horn Speaker GEN-6392A01 support paging from SIP phone by using multicast address , the multicast address and priority can be set on its webpage .



APPLICATIONS

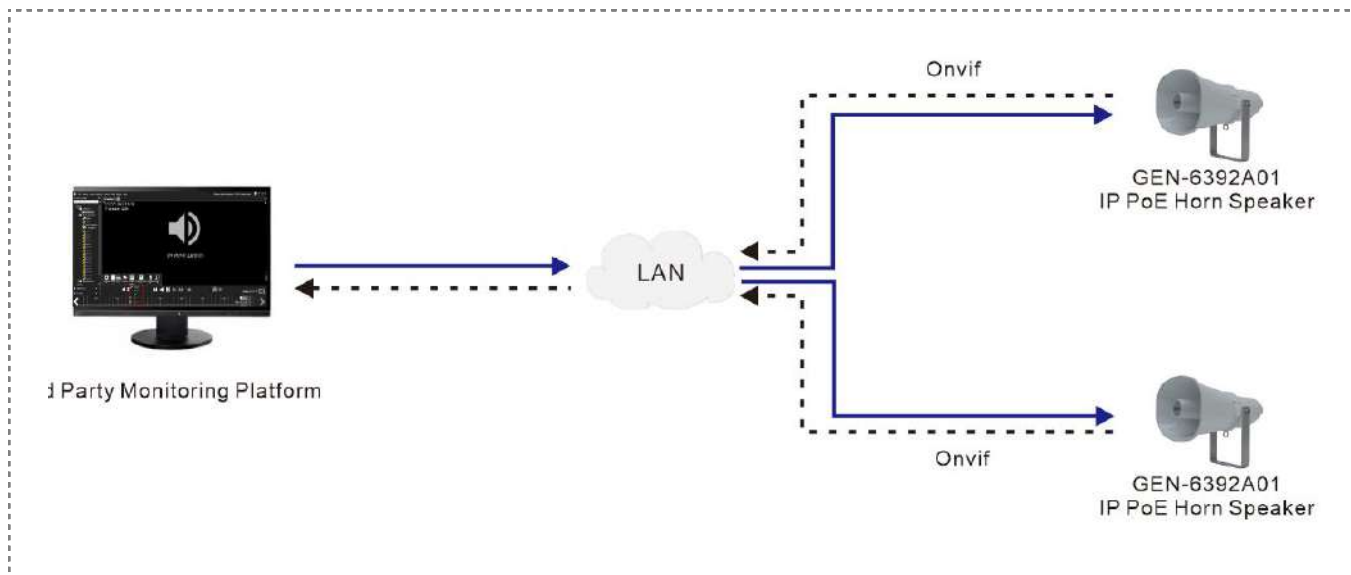
Application 3

The IP PoE Horn Speaker GEN-6392A01 supports relay input/output ports for connecting with external alarm devices ,such as emergency button .etc , it can realize two-way intercom function or trigger the strobe light flashing and the pre-set alarm audio to be played.



Application 4

The IP PoE Horn Speaker GEN-6392A01 support Onvif protocol which can be registered to the 3-rd party monitoring system ,and during emergency situation ,the operator can directly make a live announcement to the speaker on the monitoring platform.



DEMENSIONL DRAWING

