



- **Standard Analogue/SIP/GSM telephone**
- **Robust housing, constructed of cold rolled steel**
- **Vandal resistant handset and armored cord**
- **Wall mounting, simple installation**
- **Weather proof protection: IP54-IP65**
- **Programmable for auto-dial**
- **Phone line powered or DC powered**
- **Inductive coupler fitted as standard for hard of hearing**
- **CE, FCC compliance**

The Handset Telephone is designed to meet the needs of client who experience loss through vandalism. Ideal for parking lots, prisons, railway/metro platforms, hospitals, police stations, ATM machines, stadiums, outside building etc.

Housed in cold rolled steel box and manufactured to a high standard, these telephones offer increased resistance to vandalism, and ensure that the primary function of communications is maintained at all times.

#### **Analogue**

As a standard analogue telephone, this unit provides basic telephone functions and can be connected to any standard two-wire telephone line, including analogue PABX lines and PSTN.

#### **Dialing**

MF (tone)

#### **Power supply**

Drawn from telephone line

#### **Lightning / Transients**

Protection to ITU-T k.21 enhanced levels

#### **Programming**

Can be programmed as an auto-dial phone

#### **SIP-VoIP TECHNICAL SPECIFICATIONS**

##### **Power Input:**

12-24V DC

##### **Port:**

WAN: 10/100Base- T RJ-45 for LAN, Auto MDIX

LAN: 10/100Base- T RJ-45 for PC, Auto MDIX

##### **Power Consumption:**

Idle:1.5W/ Active:1.8W

##### **Voice Features**

- Support SIP 2.0 (RFC3261)
- Codec: G.711A/u, G.7231 high/low, G.729, G.722
- Echo cancellation: Support G.168 and hand-free can support 96ms
- Supports full duplex
- SIP support SIP domain,SIP authentication(none, basic,MD5),DNS name of server
- DTMF:SIP info, DTMF Relay, RFC2833
- Call control features: Flexible dial map, support hot-line

##### **Network Features**

- WAN/LAN: support Bridge mode
- Support static IP address
- Support DHCP get IP on WAN port
- Support VLAN
- Support web config

**GSM/3G TECHNICAL SPECIFICATIONS**

Standard SIM card

**Working Frequency Range:**

**GSM:** GSM850/900/1800/1900MHZ

**3G:** WCDMA850/1900/2100MHZ

GSM850/900/1800/1900MHZ

**Adapter Input:**

7.4 V-12V DC

**Power Consumption:**

Idle current: 75mA

Off hook current: 160mA

**TECHNICAL SPECIFICATIONS**

**Casing Material**

Cold rolled steel body

**Colors**

RED, YELLOW, GREY or others

**Handset Material**

ABS material handset with stainless steel spiral cord.

**Keypad**

No Keypad

**Temperature**

Operating: -30°C to +70°C

Storing: -40°C to +75°C

**Weather Resistance**

IP54-IP65

**Ringtone**

Shrill warble tone 80 dBA @ 1 metre typical

**Hook switch**

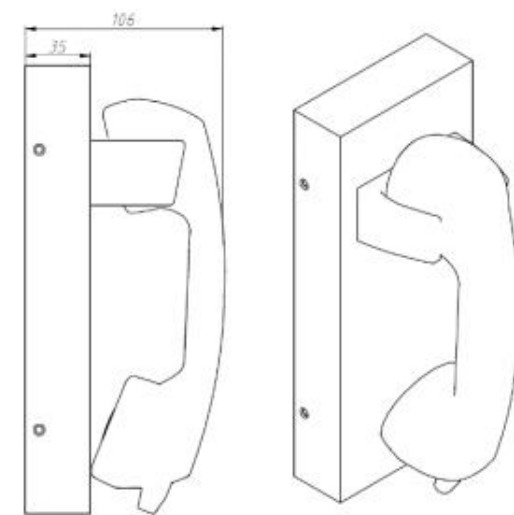
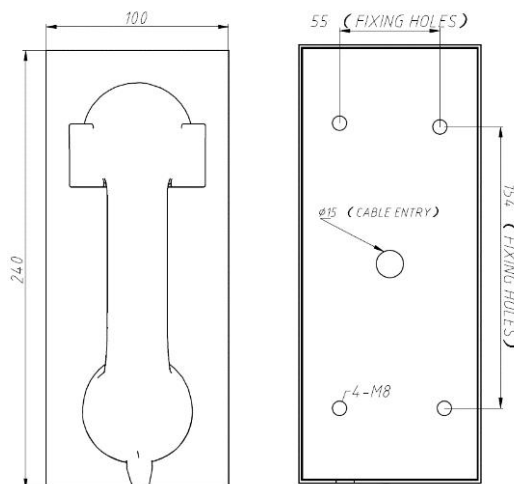
Electronic / magnetic with no visible moving parts

**M.T.B.F.**

Calculated to have an M.T.B.F. in excess of 50,000 hours using

**Weight**

Up to 3 kg depending on option

**Installation**


(Measured in mm)

**APPROVALS**


This mark indicates compliance with the:  
Radio & Telecommunications Terminal Equipment  
Directive  
2004/108/EC



This mark indicates compliance with the:  
FCC Part 15 Subpart B Class B

**PACKAGE**

unit size: 240 \*100 \*106(mm)

Carton size:340 \*235 \*165( mm )

Packaging materials: pearl cotton, carton

Net weight: 1.5 KG Gross weight: 3 KG