

# Fixed Dome Junction Box

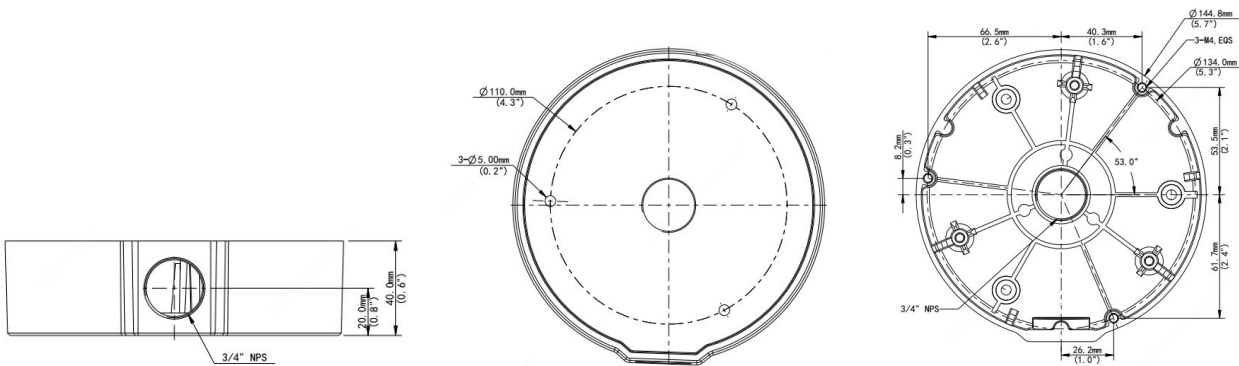
## TR-JB04-C-IN



### Specifications

Bracket	TR-JB04-C-IN
Application	Wall installation for IPC323X Series fixed dome
Dimensions	Φ 144.8mm*40mm (5.70" x1.57")
Weight	0.3kg(0.66lb)
Material	Aluminum alloy

### Dimension



#### Zhejiang Uniview Technologies Co.,Ltd.

South Tower, Building 10, Wanlun Science Park, 88 Jiangling Road, Hangzhou, P.R.China 310051

Email : [overseasbusiness@uniview.com](mailto:overseasbusiness@uniview.com); [globalsupport@uniview.com](mailto:globalsupport@uniview.com)

<http://www.uniview.com>

©2015 Zhejiang Uniview Technologies Co.,Ltd. All rights reserved.

\*Product specifications and availability are subject to change without notice.